



Drain Plug Wrench
Part Number 830259

Fill Bottle
Part Number 830261

EZ Mop 360° Parts Manual

Thank you for your purchase of the new EZ Mop 360. Our Customer Service Department would like to hear from you. If you see any errors, omissions or something that needs clarification in this Parts Catalog please let us know. We are working hard towards continually improving our processes to bring you the best you deserve. Please copy the form below, fill out and comment on how you found our catalog.

Thank you!

The Minuteman International Team

Name: _____

Title: _____

Company Name: _____

Address: _____

Country: _____

Type of equipment or model number: _____

Comments: _____

Please return to:

Customer Service Manager
Minuteman International, Inc.
14N845 U.S. Route 20
Pingree Grove, Illinois 60140 USA

Phone: (800) 323-9420

Email: tech@minutemanintl.com

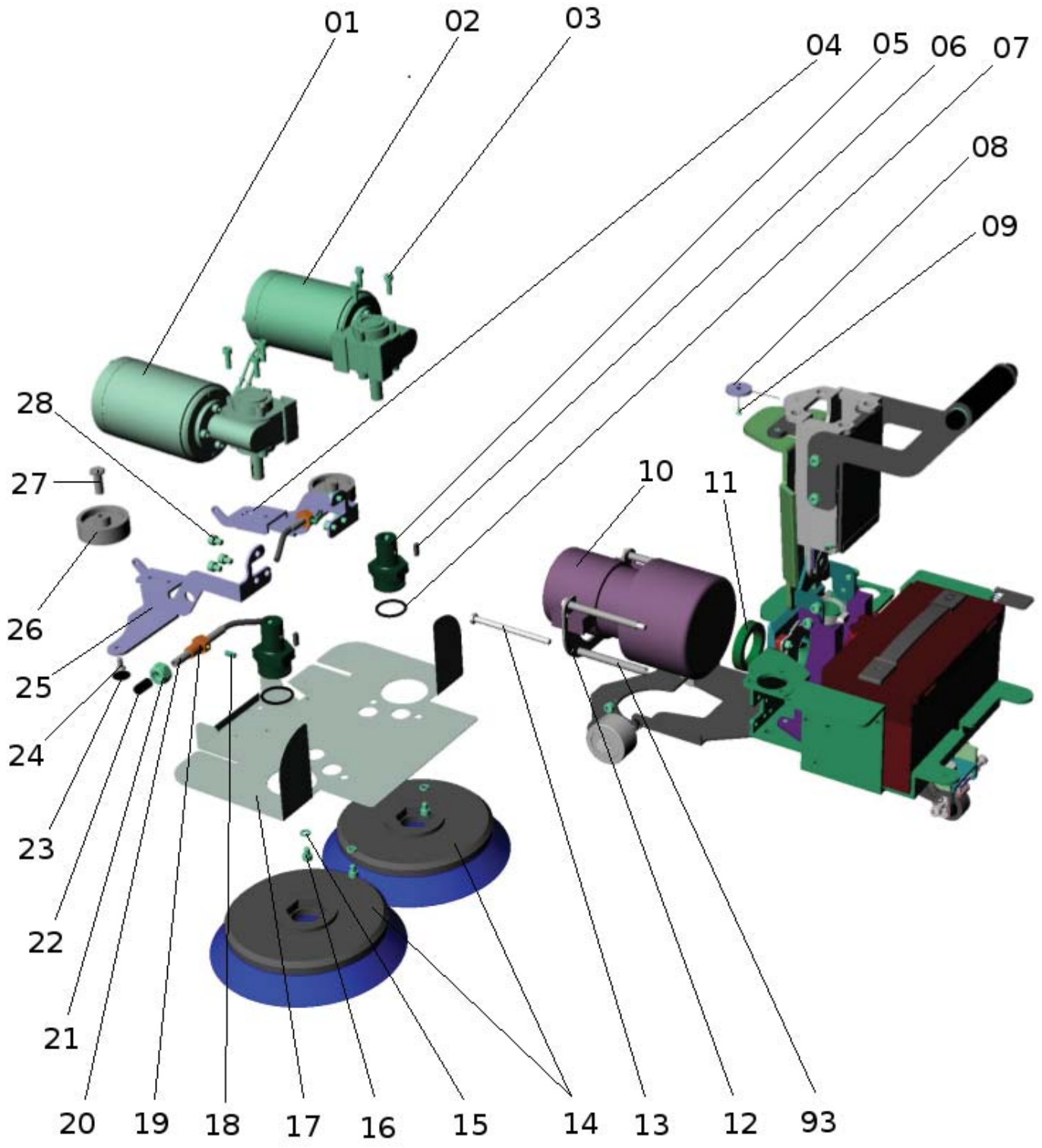
Table of Contents

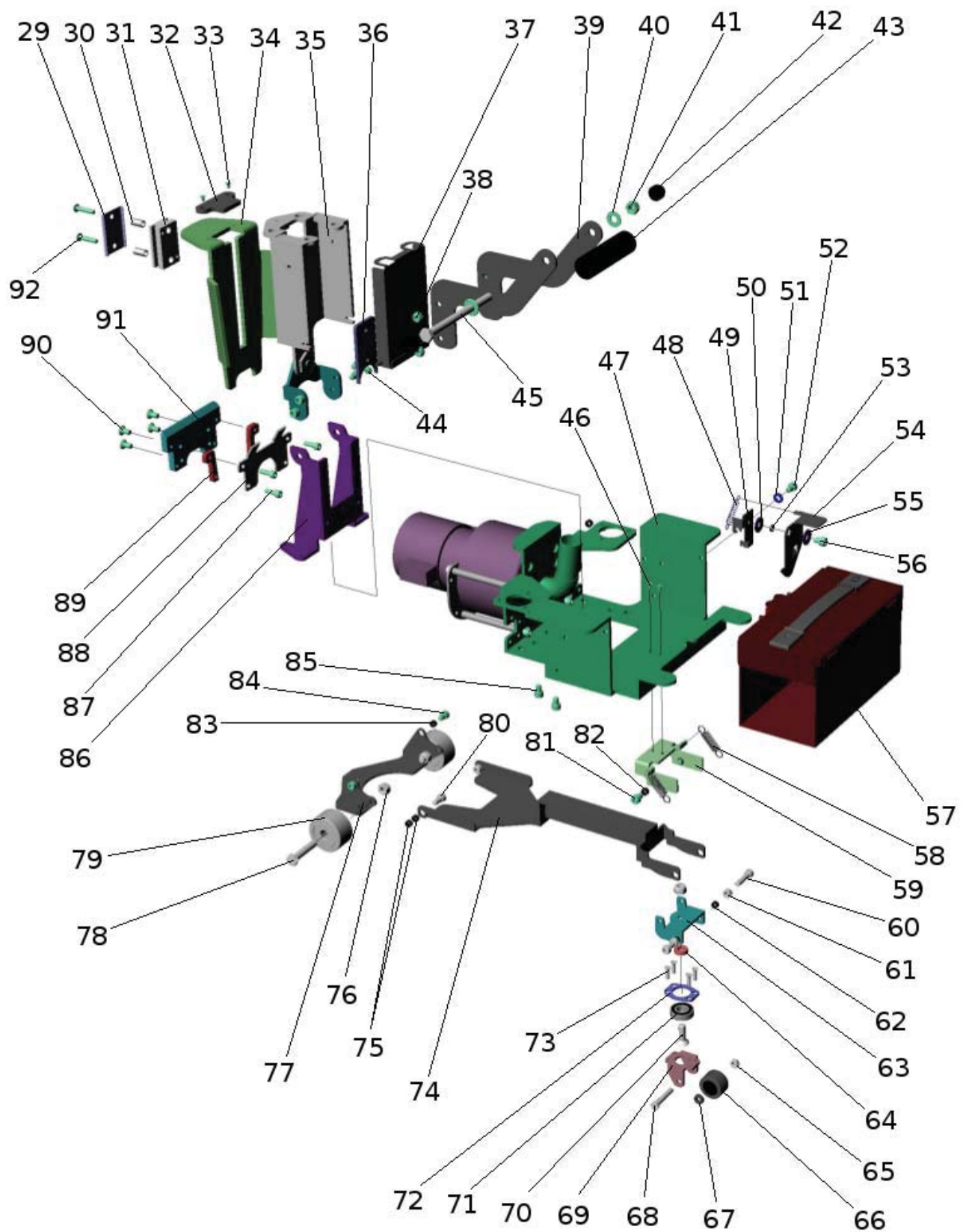
TECHNICAL SPECIFICATIONS.....	3
CHASSIS ASSEMBLY	4
TANK ASSEMBLY	8
SQUEEGEE ASSEMBLY.....	10
HANDLE AND RECOVERY ASSEMBLY	12
MEMBRANE CONTROL GROUP	14
WARRANTY.....	16

TECHNICAL SPECIFICATIONS

Model EZ MOP 360° (MM14QP)

TECHNICAL SPECIFICATIONS	
LITHIUM ION BATTERY	36 VOLTS
RUN TIME	1 HOUR
SCRUB WIDTH	410 MM
SCQUEEGEE WIDTH	17.7 INCHES
PAD / BRUSH PRESSURE	48.5 LBS
BRUSH SPEED	210 RPM
PRODUCTIVITY	5,400 SQUARE FEET / HOUR
SOLUTION TANK	.8 GALLONS
RECOVERY TANK	1.3 GALLONS
VACUUM MOTOR	36 VOLT / .40 H.P.
NOISE LEVEL	66 DBA

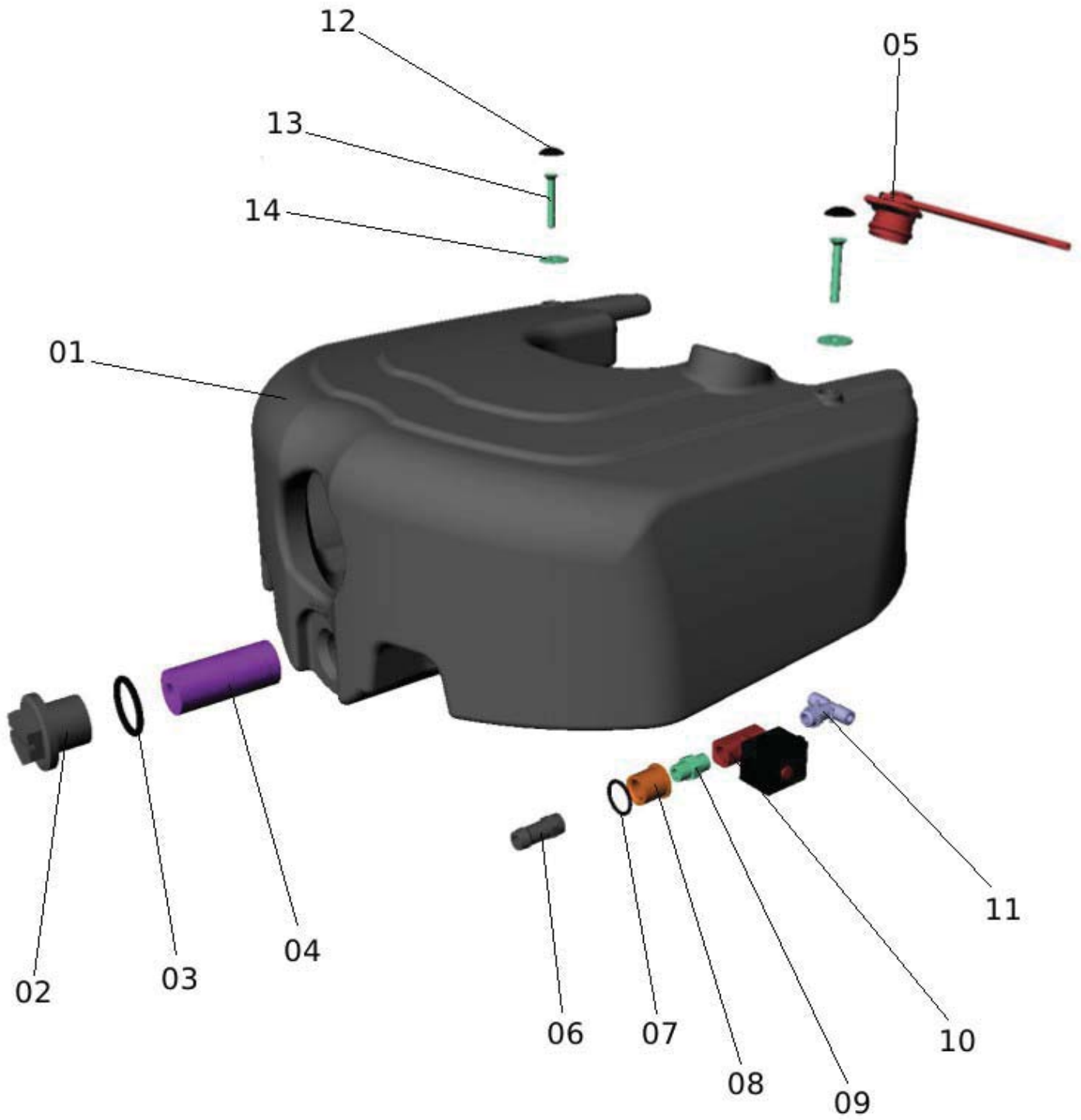




CHASSIS ASSEMBLY			
ITEM	PART NO.	DESCRIPTION	QTY
01	830159	LEFT BRUSH MOTOR	1
02	830158	RIGHT BRUSH MOTOR	1
03	830200	SCREW	6
04	830234	RIGHT WHEEL SUPPORT	1
05	830134	BRUSH COUPLING	2
06	830157	SHAFT KEY	2
07	830155	BRUSH COUPLING O-RING	1
08	830119	MAGNET	1
09	830207	SCREW	1
10	830142	KIT VAC MOTOR	1
11	830133	GASKET KIT MIRA	1
12	830160	VAC MOTOR PLATE	1
13	830211	SCREW	4
14	830186	BRUSH PPL 170/200	2
	830187	BRUSH PES 170/200 (OPT.)	2
	830188	(OPT.)	2
	830189	BRUSH TYNEX 170/200 (OPT.)	2
15	830245	WASHER	4
16	830184	SCREW Use part number 830203	4
17	830162	PROTECTION PLATE	1
18	830210	SCREW	2
19	830110	WATER HOSE BUSH	2
20	830109	HOSE NOOZLE	2
21	830126	RING NUT	2
22	830120	HOSE CAP	2
23	830115	SCREW CAP	2
24	830197	SCREW	2
25	830235	LEFT WHEEL SUPPORT	1
26	830180	ADJUSTING WHEEL SQG	2
27	830101	BUMPER WHEEL SHAFT	2
28	830194	SCREW	6
29	830146	COVER PLATE	1
30	830108	BUSH 6x8x15,5	2
31	830123	SLED	1
32	830165	MAGNET PLATE	1
33	830207	SCREW	2
34	830161	HANDLE LOCK	1
35	830139	HANDLE SUPPORT	1
36	830166	RINFORCED PLATE	1
37	830143	SUPPORT COVER	1
38	830124	RING NUT	2
39	830168	HANDLE PLATE	2
40	830177	WASHER	4
41	830125	RING NUT	1
42	830121	NUT COVERING	2
43	830111	HANDLE	1
44	830127	RING NUT	2
45	830195	SCREW	1

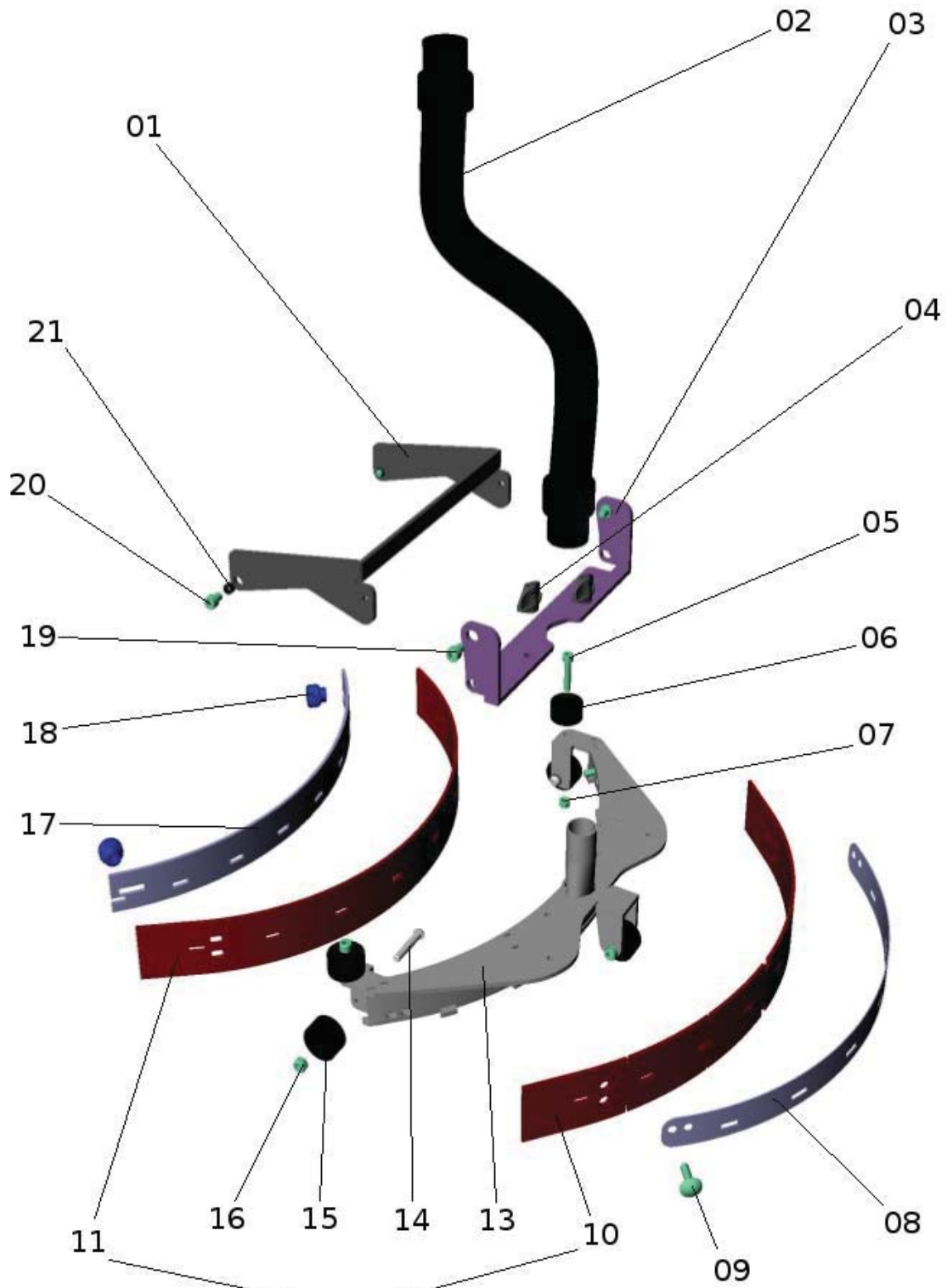
ITEM	PART NO.	DESCRIPTION	QTY
46	830199	SCREW	2
47	830249	CHASSIS	1
48	830241	SPRING	1
49	830231	HOOK LEVER SUPPORT	1
50	830257	WASHER	1
51	830179	WASHER	1
52	830194	SCREW	1
53	830219	SPRING BUSH	1
54	830230	HOOK LEVER	1
55	830257	WASHER	1
56	830194	SCREW	1
57	830135	BATTERY PACK 36 VOLT	1
57a	830216	BATTERY CHARGER (NOT SHOWN)	1
58	830240	SPRING	2
59	830237	SPRING SUPPORT	1
60	830251	SCREW	2
61	830124	RING NUT	2
62	830107	BUSH 6 X 8	2
63	830236	ROTATING SUPPORT	1
64	830221	SUPPORT PIVOT BUSH	1
65	830225	RING NUT	1
66	830247	WHEEL D=30	1
67	830220	SPACER PIVOT BUSH	1
68	830256	SCREW	1
69	830238	CASTER WHEEL SUPPORT	1
70	830252	SCREW	1
71	830224	BEARING	1
72	830243	BEARING PLATE	1
73	830258	SCREW	4
74	830233	CONNECTION LEVER	1
75	830107	BUSH 6 X 8	4
76	830125	RING NUT	1
77	830232	FRONT PLATE	1
78	830254	SCREW	2
79	830246	WHEEL D=50	2
80	830253	SCREW	2
81	830251	SCREW	2
82	830107	BUSH 6 X 8	2
83	830107	BUSH 6 X 8	2
84	830194	SCREW	2
85	830204	SCREW	4
86	830144	MAIN SUPPORT	1
87	830200	SCREW	4
88	830167	HANDLE FIXING DOOR	1
89	830147	SIDE GUIDE	2
90	830205	SREW	4
91	830145	HANDLE GUIDE SUPPORTO	1
92	830206	SCREW	2
93	830109	HOSE NOOZLE	4

TANK ASSEMBLY



Drain Plug Wrench
Part number 830259

TANK ASSEMBLY			
ITEM	PART NO.	DESCRIPTION	QTY
01	830183	CLEAN WATER TANK	1
02	830169	DRAIN CAP WATER TANK	1
03	830155	O-RING	1
04	830130	CLEAR WATER FILTRE	1
05	830103	CLEAN WATER CAP	1
06	830172	RACCORD 1/4" D=10	1
07	830156	O-RING	1
08	830106	WATER HOSE BUSH	1
09	830170	NIPPLES M-M 1/4"	1
10	830129	SOLENOID VALVE COMPL	1
11	830171	"T" RACCORD	1
12	830115	SCREW CAP	2
13	830196	SCREW	2
14	830178	WASHER	2



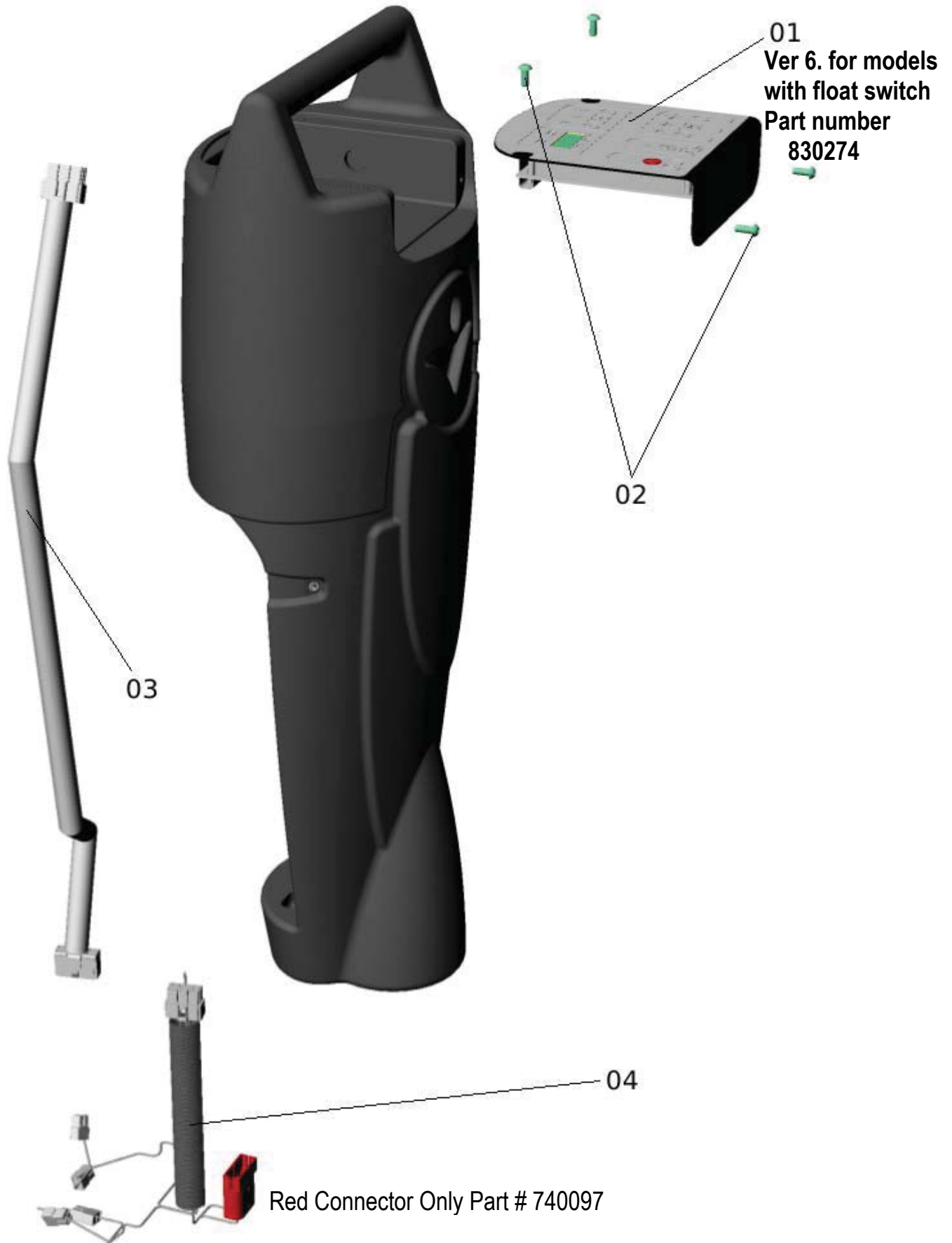
**Screws on
squeegee for
plastic knobs
830271**

SQUEEGEE ASSEMBLY			
ITEM	PART NO.	DESCRIPTION	QTY
01	830239	SQUEEGEE SUPPORT LEVER	1
02	830193	VACCUM HOSE	1
03	830229	SQG CONNECTION PLATE	1
04	830118	KNOB MOD 1065/F M6	2
05	830202	SCREW	2
06	830181	SQUEEGE WHEEL MIRA	5
07	830124	RING NUT	2
08	830164	REAR SPRING BLADE SQG MIRA	1
09	830201	SQUARE HEAD SCREW	2
10	830175	REAR SQG BLADE IN POLIURETHAN	1
	830176	REAR SQG BLADE LYNATEX MIRA	
11	830173	FRONT SQG BLADE POLIURETHAN	1
	830174	FRONT SQG BLADE LYNATEX	
12	830136	KIT FRONT AND REAR SQG BLADE POLIURETHAN	1
	830137	KIT FRONT AND REAR SQG BLADE LYNATEX	
13	830138	SQUEEGEE BODY MIRA	1
14	830212	SCREW	2
15	830181	SQUEEGE WHEEL MIRA	5
16	830124	RING NUT	2
17	830163	SQUEEGEE FRONT METAL BLADE	1
18	830117	KNOB SQG M6	2
19	830194	SCREW	2
20	830194	SCREW	2
21	830107	BUSH 6x8x4,6	2

HANDLE AND RECOVERY ASSEMBLY



HANDLE AND RECOVERY ASSEMBLY			
ITEM	PART NO.	DESCRIPTION	QTY
01	830248	RECOVERY TANK	1
02	830184	HANDLE	1
03	830192	VACC HOSE	1
04	830140	TUBE WITH CURVED	1
05	830104	FIXXING KNOB	4
06	830131	VACC FILTRE	1
07	830133	GASKET KIT MIRA	1
08	830116	ELASTIC RUBBER COUPLING	2
09	830122	SPACER	2
10	830213	SCREW	4
11	830208	SCREW	4
12	830114	METAL CLAMP	1
13	830102	RECOVERY TANK CAP	1



MEMBRANE CONTROL GROUP			
ITEM	PART NO.	DESCRIPTION	QTY
01	830132	MEMBRANE CONTROL	1
02	830209	SCREW	4
03	830112	MAIN WIRING	1
04	830113	ENGINE WIRING	1

Minuteman International Made Simple Commercial Limited Warranty

REVISION O EFFECTIVE 4/1/2016

Minuteman International, Inc. warrants to the original purchaser/user that the product is free from defects in workmanship and materials under normal use. Minuteman will, at its option, repair or replace without charge, parts that fail under normal use and service when operated and maintained in accordance with the applicable operation and instruction manuals. All warranty claims must be submitted through and approved by factory authorized repair stations.

This warranty does not apply to normal wear, or to items whose life is dependent on their use and care, such as belts, cords, switches, hoses, rubber parts, electrical motor components or adjustments. Parts manufactured by Minuteman are covered by and subject to the warranties and/or guarantees of their manufacturers. Please contact Minuteman for procedures in warranty claims against these manufacturers.

Special warning to purchaser -- Use of replacement filters and/or pre-filters not manufactured by Minuteman or its designated licensees, will void all warranties expressed or implied. A potential health hazard exists without original equipment replacement.

All warranted items become the sole property of Minuteman or its original manufacturer, whichever the case may be.

Minuteman disclaims any implied warranty, including the warranty of merchantability and the warranty of fitness for a particular purpose. Minuteman assumes no responsibility for any special, incidental or consequential damages.

This limited warranty is applicable only in the U.S.A. and Canada, and is extended only to the original user/purchaser of this product. Customers outside the U.S.A. and Canada should contact their local distributor for export warranty policies. Minuteman is not responsible for costs or repairs performed by persons other than those specifically authorized by Minuteman. This warranty does not apply to damage from transportation, alterations by unauthorized persons, misuse or abuse of the equipment, use of non-compatible chemicals, or damage to property, or loss of income due to malfunctions of the product.

If a difficulty develops with this machine, you should contact the dealer from whom it was purchased.

This warranty gives you specific legal rights, and you may have other rights which vary from state to state. Some states do not allow the exclusion or limitation of special, incidental or consequential damages, or limitations on how long an implied warranty lasts, so the above exclusions and limitations may not apply to you.

Model	Parts	Labor	Poly	Travel**
Cord Electric Group	5yrs	3yrs	12yrs	90 days
Battery Operated Group	5yrs	3yrs	12yrs	90 days


Exceptions.....

Model	Parts	Labor	Poly	Travel**
Port A Scrub, all models	1yr	6months	12yrs	90 days
A3S Blower	1yr	1yr	0	0
Phenom Dual Motor Upright Vacuums	2yrs	2yrs	0	0
Explosion Proof Vacuum	1yr	1yr	0	0
Propane Burnisher	1yr	1yr	0	90 days
**Travel, 2 hours max				

<i>Stand-alone Battery Chargers:</i>	One year
<i>Replacement Parts:</i>	Ninety days
<i>Batteries:</i>	0-3 months full replacement, 4-12 months pro-rate
<i>Polypropylene Plastic Tanks:</i>	12yr warranty, no additional labor

“Excellence Meets Clean”

**Minuteman is a Full Line Manufacturer of Sweepers and Scrubbers,
for Industrial Facilities.**



14N845 U.S. Route 20, Pingree Grove, IL 60140 USA
Phone (800) 323-9420 - www.minutemanintl.com
A Member of the Hako Group